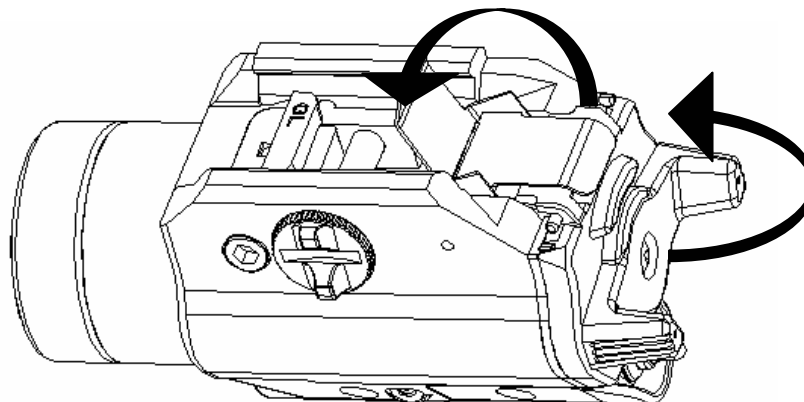


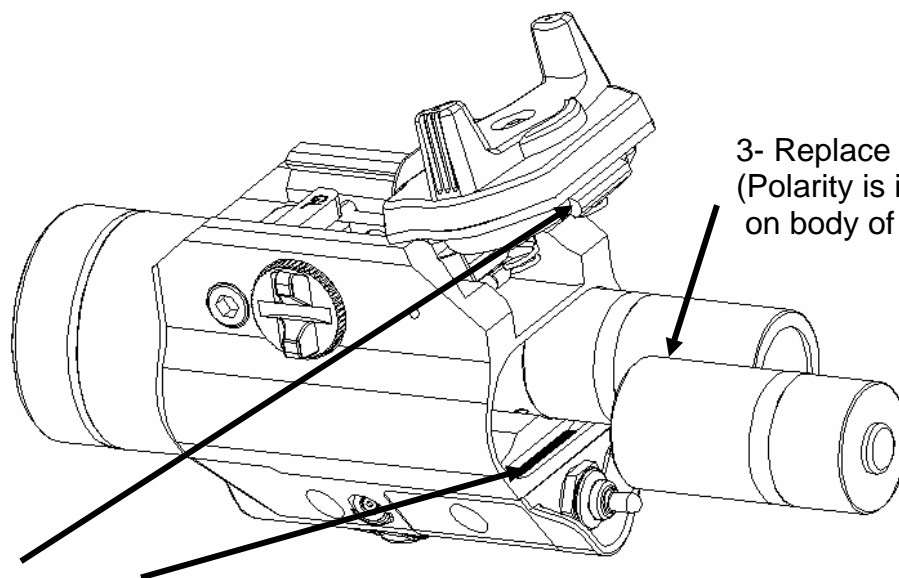
Battery Installation/Removal

THE TLR-1®s/TLR-2®s MUST BE REMOVED FROM THE FIREARM BEFORE THE BATTERY COMPARTMENT CAN BE OPENED OR CLOSED.

1- Unlock



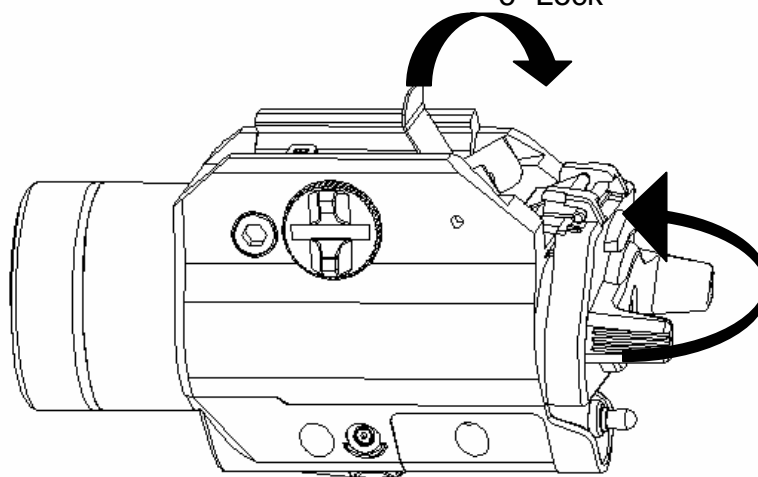
2- Swing Door Open



3- Replace Batteries
(Polarity is indicated
on body of flashlight)

4- Insert Tab into Slot to Close Door

6- Lock



5- Swing Door Closed
(Apply Force)